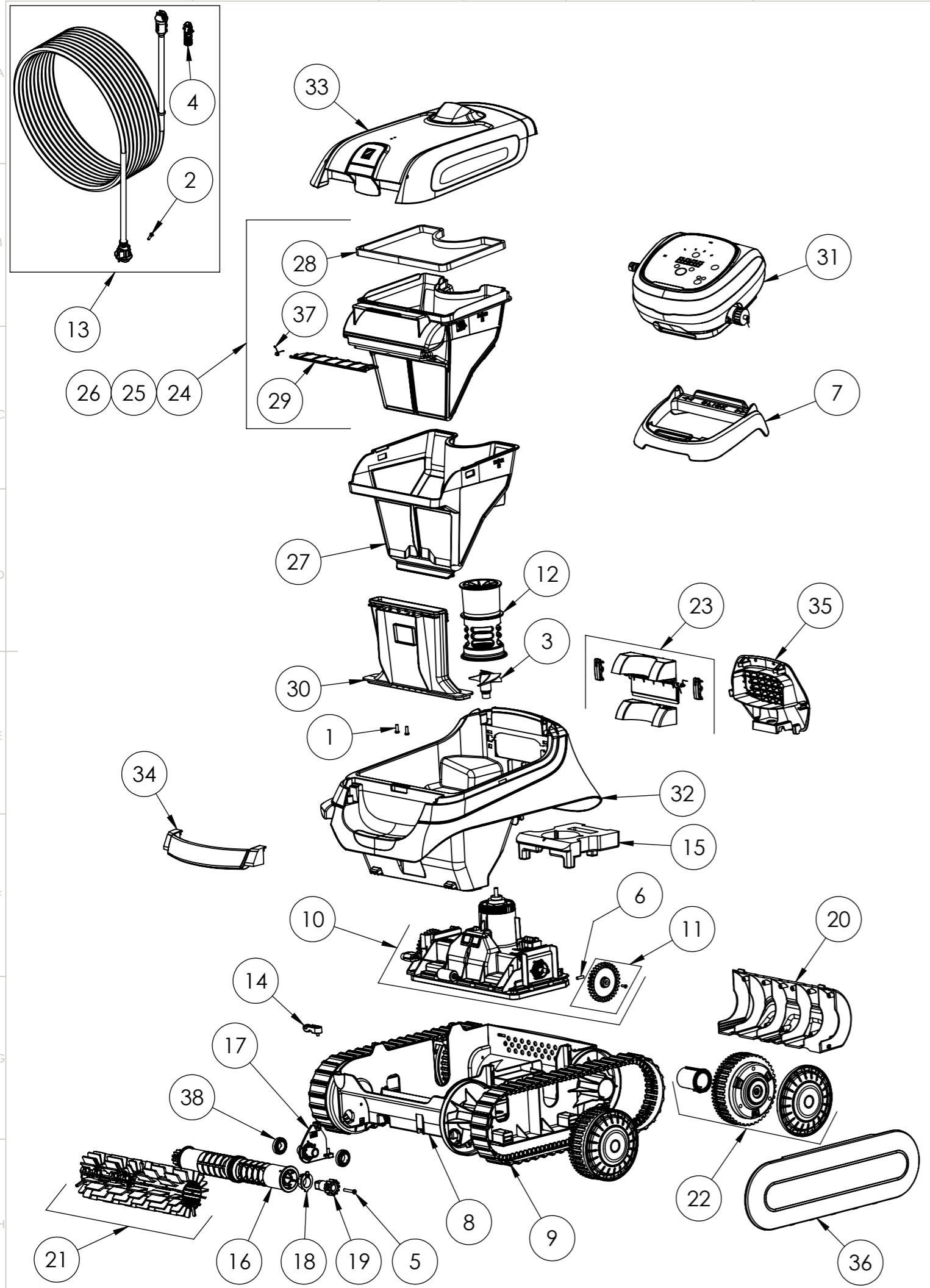


Ce document est la propriété de ZODIAC Pool Care Europe S.A.
 Il ne peut être ni reproduit ni communiqué à des tiers sans autorisation écrite d'une personne mandatée spécialement à cet effet par la dite société.
 This document is the property of ZODIAC Pool Care Europe S.A.
 It shall not be reproduced or transmitted to a third party without prior written consent of the said company.



N°	Part number	Designation	Qty
1	R0516700	SCREW 4*12 MM (SET OF 5)	1
2	R0608500	SCREW 4*16MM (set of 5)	1
3	R0633200	IMPELLER CYCLONX	1
4	R0634100	CONNECTOR 3PTS BODY	1
5	R0638900	SCREW 4*25 MM (SET OF 5)	1
6	R0657900	MOTOR BLOCK SHAFT PIN Ø4 (SET OF 5)	1
7	R0662600	CONTROL UNIT BASE	1
8	R0895100	LOWER HOUSING CHASSIS CN	1
9	R0895200	TRACK CN (*2)	1
10	R0895400	MOTOR BLOCK KIT CN	1
11	R0895600	DRIVE GEAR KIT (*2)	1
12	R0895700	FLOW OUTLET CN	1
13	R0895800	FLOATING CABLE CN, 15M	1
14	R0896200	CABLE STRAIN RELIEF CN	1
15	R0896300	CHASSIS FLOAT CN	1
16	R0896400	BRUSH ROLLER CN (*2)	1
17	R0896500	ROLLER SUPPORT CN	1
18	R0896600	OUTER BEARING CN, (*2)	1
19	R0896700	12 POINT GEAR, CN (*2)	1
20	R0896800	REAR CHASSIS COVER CN	1
21	R0896900	BRUSH SCRUBBER CN GREY (*2)	1
22	R0897300	WHEEL CN, BLACK	4
23	R0897400	REAR FLAP DOOR KIT CN	1
24	R0897500	FILTER CN 100µ - SINGLE	1
25	R0897600	FILTER CN 150µ - DUAL	1
26	R0897700	FILTER CN 200µ - SINGLE	1
27	R0898100	OVER FILTER CN 60µ - DUAL	1
28	R0898300	CANISTER SEAL CN	1
29	R0898400	CANISTER INLET FLAP CN	1
30	R0898500	INLET CHANNEL CN	1
31	R0899000	CONTROL BOX CN TYPE 5 EU	1
32	R0900300	BODY HOUSING CN A BARACUD BLUE	1
33	R0901100	COMPLETE COVER CN A, CLEAR	1
34	R0901600	HANDLE CN A, WHITE	1
35	R0902000	REAR GRID CN A, BARACUDA BLUE	1
36	R0902200	LONG FLANGE CN BLACK (*2)	1
37	R0905500	CANISTER INLET FLAP SPRING CN	1
38	W79034	BALL BEARING	2

MEERI	A	Création du plan	27.08.20
Nom	Révision	Modifications	Date
Name	Issue	Modifications	Date

Désignation Dwg Name	XA 2030 SPARES	Sheet : 1 / 1	
Plan No. Dwg No.	WR000332_SPARES	Révision Issue	A
Tolérances / Normes : Tolerances / Standard :	Echelle Scale	Format Format	Préparé par Prepared by
	1:50	A3	MEERI
			27.08.20
			LFE
			27.08.20
			LFE
			27.08.20
			LTT
			27.08.20

ZODIAC Pool Care Europe
 Z.A. de la Balme 31450 BELBERAUD -FRANCE-